

ASTRA

3X

/

ASTRA

6X

BI-COLOR

Litepanels®

STUDIO LIGHT FLOOD BI-COLOR LED FIXTURE (935-2023 / 935-1023)

www.litepanels.com

SAFETY INFORMATION



To clean the ASTRA, wipe with a clean, dry cloth.

Do not restrict air flow around the ASTRA. Keep the fixture's vents clear of obstruction.

Plug the ASTRA into a mains electrical receptacle using only the included Power Supply Adapter.

Use a mains electrical receptacle rated 100/120V 220/240V 50/60Hz only.

Use the US AC Power Cord only with a grounded, polarized 3-pin power receptacle (Type B).

Do not use, mount, transport, or store the ASTRA near radiators, space heaters, ovens, stoves, heat registers, open flame, or any heat source.

Do not use, mount, transport, or store the fixture in an environment with an ambient temperature greater than 65°C [149° F].

Protect the power cables of the ASTRA from pinching, twisting, or crushing.

Unless otherwise herein specified, the ASTRA contains no user-servicable parts. Tampering with or disassembling the fixture will void the manufacturer's warranty.

WARNING: To reduce the risk of electric shock or fire, do not expose the ASTRA to rain, moisture, or liquids.

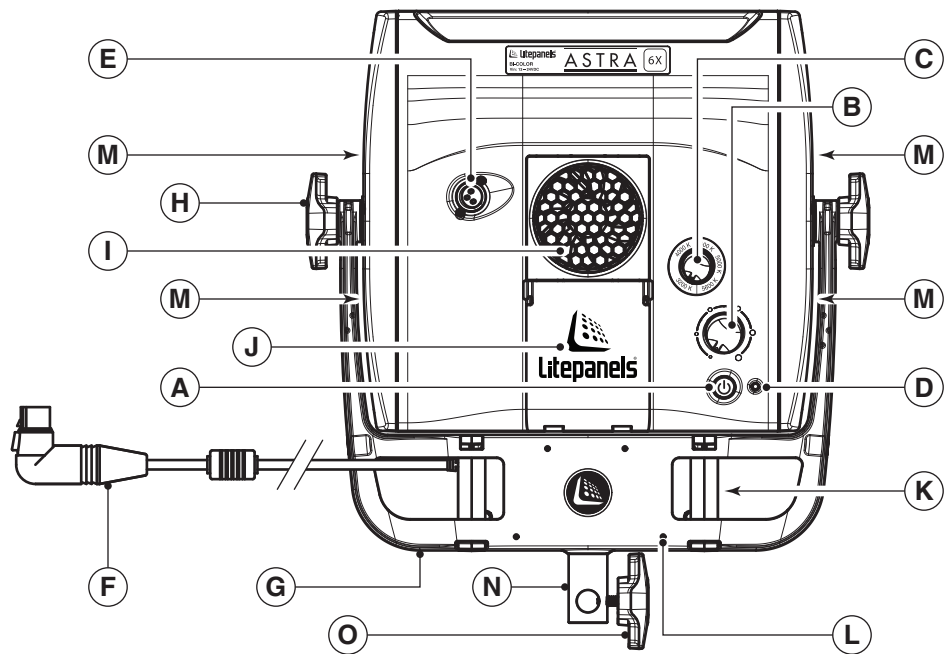
Immediately consult with qualified Litepanels® service personnel when any of the following have occurred: The fixture has been dropped or impacted; the power cables have been damaged; the fixture has been exposed to rain, moisture, or liquid; the fixture does not operate normally.

This device complies with Part 15 of the FCC Rules. Operation is subject to the following two conditions: (1) this device may not cause harmful interference, and (2) this device must accept any interference received, including interference that may cause undesired operation.

INCLUDED

ASTRA 3X or ASTRA 6X Bi-Color LED Fixture
Yoke w/ Power Supply Adapter
AC Power Cord, US (not pictured)
AC Power Cord, EU (not pictured)

- (A) ON / OFF BUTTON
- (B) DIMMER KNOB
- (C) COLOR KNOB
- (D) POWER / STATUS INDICATOR LIGHT
- (E) 3-PIN MALE XLR POWER JACK
- (F) 3-PIN FEMALE XLR POWER PLUG
- (G) YOKE
- (H) YOKE KNOB (2 PLACES)
- (I) FAN MODULE (ASTRA 6X ONLY)
- (J) MODULE WELL COVER
- (K) IEC POWER RECEPTACLE
- (L) BATTERY PLATE MOUNTING HOLES
- (M) VENTS
- (N) TVMP ADAPTER
- (O) TVMP KNOB



MOUNTING THE FIXTURE

The ASTRA fixture is attached to a Yoke (included, see "G" above) that features a TVMP Adapter ("N"). If desired, the TVMP adapter can be removed and replaced with other standard mounting hardware (not included). Always comply with applicable local regulations, and use other safety equipment (e.g. safety chain or cable, not included) when required.

CAUTION: When hanging the fixture or mounting it to a stand, position the yoke such that the fixture is oriented mostly right-side-up.

WARNING: Keep the fixture's Vents ("M") clear from obstruction. Allow more than 15 cm [6 inches] of air space between the side vents and the nearest obstruction. Allow more than 15 cm [6 inches] of air space between the rear of the fixture and the nearest obstruction.

Use only accessories made or approved by the manufacturer, and ensure that accessories do not obstruct the vents.

Do not operate the ASTRA fixture in an environment other than as specified by the following: ambient temperature between -20°C and 45°C [between -4°F and 113°F]; less than 85% relative humidity (RH), no condensation.

POWERING THE FIXTURE

Plug the Power Supply Adapter (included) into the mains using the US or EU AC Power Cord (included). The power supply adapter is affixed to the yoke by clips and can be detached if desired.

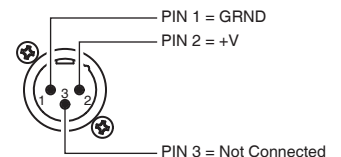
CAUTION: The power supply adapter can get hot during use.

CAUTION: Use only the included power supply adapter.

Plug the 3-pin Female XLR Plug ("F") from the Power Supply Adapter into the 3-Pin Male XLR Jack ("E") on the rear of the fixture. Insert the plug firmly and completely.

For battery use, attach a compatible Anton Bauer® V-Mount or Gold Mount battery plate to the back of the yoke using the four 4-40 threaded Battery Plate Mounting Holes ("L"). Plug the battery plate power inlet cable into the 3-pin male XLR jack on the rear of the fixture. (Battery, battery plate, mounting hardware, and battery plate power inlet cable are not included.)

PINOUT DIAGRAM (3-PIN MALE XLR JACK)



SEE REVERSE

OPERATION

To power on, depress the On/Off Button (see “A” above) until it latches, then release. To power off, depress the On/Off Button again to unlatch.

The Power/Status Indicator Light (“D”) is green to indicate that the fixture is powered and operating normally. The Power/Status Indicator light will turn red or flash red to indicate a warning or a fault condition. See “TROUBLESHOOTING” below for more information.

The ASTRA features 0 – 100% dimmer control. To increase brightness, turn the Dimmer Knob (“B”) clockwise. To decrease brightness, turn the Dimmer Knob counterclockwise. **RECOMMENDED:** When turning the light off for a short time (less than 90 minutes), turn the dimmer down to zero rather than turn the power off using the On/Off Button.

Turn the Color Knob (“C”) to change the color of the light output. Turn the Color Knob clockwise for more daylight (cool white) color. Turn the Color Knob counterclockwise for more tungsten (warm white) color.

When the fixture is operated remotely via a valid communication signal (e.g. DMX 512), the Dimmer Knob and Color Knob are temporarily disabled. When the remote signal is discontinued, the dimmer and color values hold at their most recently transmitted levels. Control is then returned to the Dimmer and Color Knobs when either are adjusted manually.

DISABLING / ENABLING THE FAN (ASTRA 6X ONLY)

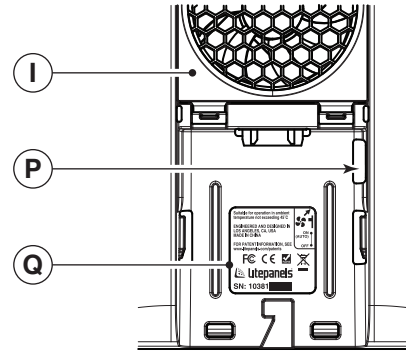
The ASTRA 6X uses active fan cooling to maximize its brightness output. The fan can be disabled if desired. Disabling the fan will reduce the fixture’s maximum brightness output by 50%.

To disable or enable the Fan, adjust the Fan Switch (“P”). To access the fan switch, the module well cover must be removed (see “REMOVING THE MODULE WELL COVER” below).

Refer to the Serial Label (“Q”) for guidance. To enable the fan, push the switch upward to ON (AUTO). The fan speed will automatically adjust to optimally regulate the fixture’s temperature. To disable the fan, push the switch downward to OFF. Replace the module well cover.

In the unlikely event of fan failure, the Fan Module (“I”) is a user-serviceable part that can be replaced. See litepanels.com/support for details.

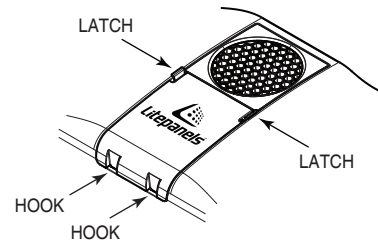
The ASTRA 3X is not equipped with a fan.



REMOVING THE MODULE WELL COVER

To install the optional modules (not included) or access the fan switch, the Module Well Cover (see “J” above) must be removed. To remove the module well cover, squeeze the right and left latches toward each other and lift.

To replace the module well cover, insert its two hooks into their corresponding slots and swing into place. Push down until the latches snap into place.



OPTIONAL MODULES (not included)

- DMX Communications Module with RJ45 Ports (900-3501)
- DMX Communications Module with 5-pin XLR Ports (900-3502)
- Bluetooth® Communications Module (900-3519)

TROUBLESHOOTING

Behavior	Power/Status Indicator	Condition	Recommended Action
There is no light output.	green solid on	Fixture is operating normally.	Adjust dimmer knob to change brightness.
Power/Status Indicator flashes green when fixture is powered on.	green flashes	Fixture is operating normally.	Take no action. The green flashing stops shortly after the fixture has been powered on.
Light turns off.	red solid on	Input Over Voltage Fault	Turn fixture off; change power source.
Light turns off.	red solid on	Input Under Voltage Fault	Turn fixture off; change power source.
Light is on.	red flash, pause, (repeat)	Input Under Voltage Warning	Change power source.
Light is on.	red flashes (2X), pause, (repeat)	Over Temperature Warning	Turn the dimmer down to 0% and allow fixture to cool. Check fan and vents.
Light turns off.	red flashes (4X), pause, (repeat)	Over Temperature Fault	Turn the dimmer down to 0% and allow fixture to cool. Check fan and vents.
Light brightness decreases by 50%.	red flash, pause, red flashes (3X), pause, (repeat)	Fan is malfunctioning.	Check the fan for blockage. Replace fan module if necessary.
The light is not operating normally.	red flashes (other)	Fixture is malfunctioning.	Note the red flashes pattern and contact service at litepanels.com/support